



GRK Manufacturing  
 1200 Dayton Street  
 Hamilton, Ohio 45011  
 (800) 289-2362

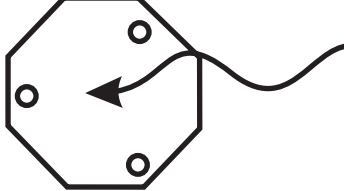
# MOBILEER

## PIANO TRANSPORTER

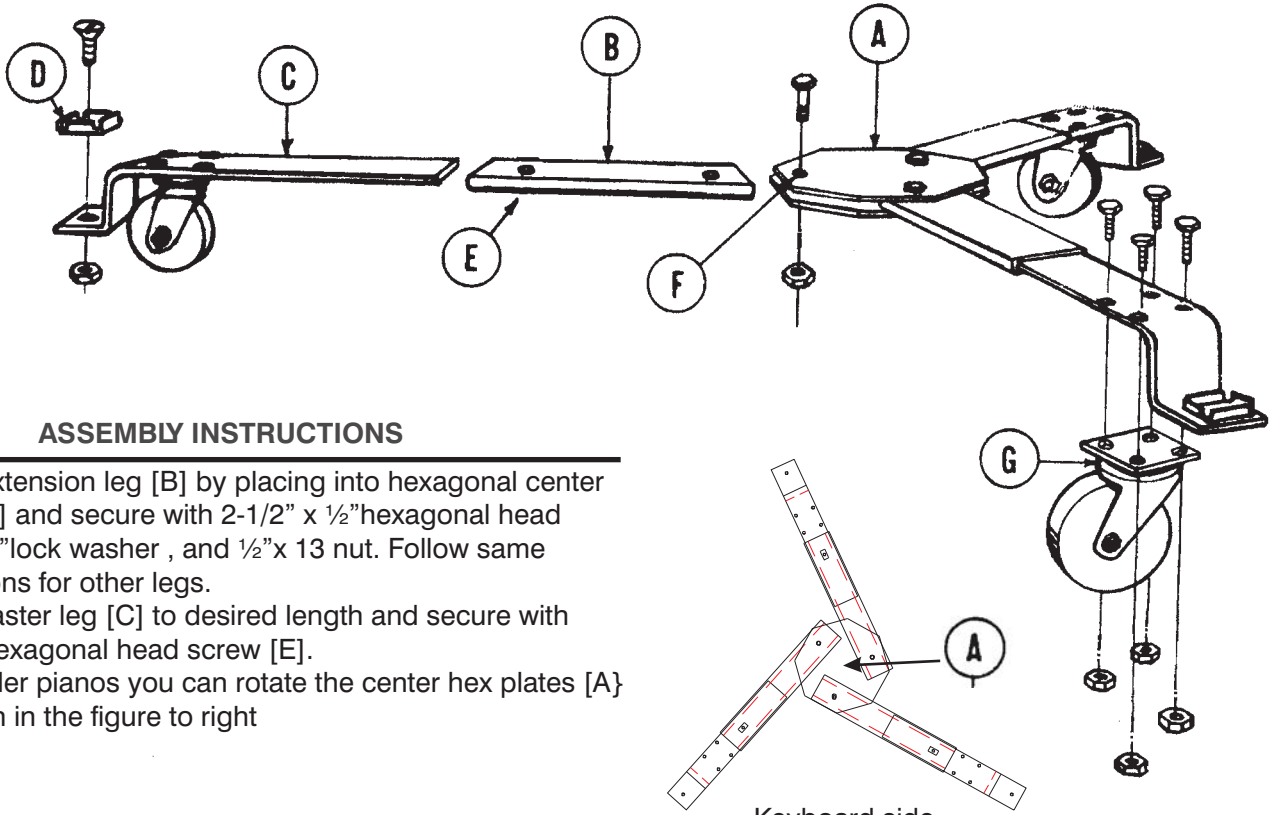
### ASSEMBLY INSTRUCTION SHEET

#### FOR MODELS M542, M543, M544

PLATE MUST FACE EXTENSION LEG [B]



To assemble transporter, make sure center hole [F] on plate [A] faces and attaches to extension leg [B]. This plate assembles ONLY this way.



#### ASSEMBLY INSTRUCTIONS

- 1) Attach extension leg [B] by placing into hexagonal center plates [A] and secure with 2-1/2" x 1/2" hexagonal head screw, 1/2" lock washer, and 1/2" x 13 nut. Follow same instructions for other legs.
- 2) Adjust caster leg [C] to desired length and secure with 1" x 1/2" hexagonal head screw [E].
- 3) For smaller pianos you can rotate the center hex plates [A] as shown in the figure to right

#### PACKING LIST

2 hexagonal center plate	[A]	15 3/8" x 16 nuts
3 extension legs	[B]	3 2-1/2" x 1/2" hexagonal head screws [F]
3 slide caster legs	[C]	3 1/2" x 13 nuts
3 leg socket plates	[D]	3 1" x 3/8" flat head screws
3 5" casters	[G]	3 1" x 1/2" hexagonal head screws [E]
12 1-14" x 3/8" hexagonal head screws		